

Greenway™ Series

Complete solar LED lighting solution system for safety and security

Sol provides trouble-free lighting wherever it's needed including pathways, walkways, hiking and biking trails, park and area security.



FEATURES

- Modular power unit and luminaire are separate allowing for solar array to face proper direction regardless of the orientation of the fixture.
- Solar array and battery box mounted at top of pole for vandal resistance.
- Vented aluminum battery box houses battery and controller.
- Maintenance free gel battery typically provides five (5) day battery back-up in case of inclement weather.
- Sturdy corrosive resistant aluminum and stainless steel hardware throughout.
- Turn key system includes 20 foot direct burial pole.
- Luminaire recommended mounting height between 12 to 15 feet.
- Uniform light distribution – 12 foot mounting height typically provides 70 to 100 foot pole spacing.
- Installation in less than an hour with slipfit design.
- Choice of two standard powder-coated options – bronze or gloss black. Custom powder-coating available
- Super efficient, bright, white light 5,100 K, state-of-the-art LED light source.
- The most efficient and aesthetically pleasing white light source in this wattage range.
- Excellent color rendering optimizes human visual acuity and contrast, offering best in class night-time vision.
- “Instant-on” – no warm up or cold start issues.
- Unlike conventional lights, no risk of hazardous disposal – CF, CCFL, LPS and HPS contain mercury.
- IDA Approved Dark Sky Friendly and IES full cut off certified fixture.
- LED provides 100,000 hours of brilliant illumination.
- Limited 5 year system warranty.
- Limited 25 year warranty on solar panels.

Sol[®] 
Reliable. Renewable. Remarkable.

Greenway™ Series

Complete solar LED lighting solution system for safety and security

SPECIFICATIONS

Light Output

- Solid State LED – 192 LED's per fixture
- LED pack produces rectangular light pattern
- Light color: 5100 K / CRI Index 80
- Lamp Rated Wattages: 11.8 or 18.9
- LED Life Expectancy: 100,000 hours
- IDA Dark Sky Certified

Fixture

- Die cast corrosion resistant / Power-coated paint finish
- Condensation prevention
- Polycarbonate Hemi Dome lens / "O" Ring Sealed
- Dimensions: 5.25" x 9" x 11"
- Weight: 6 lbs.

Support Arm

- Length: 26.25 inches
- Grade "A" Corrosion Resistant Aluminum
- Weight: 12 lbs.

Battery Box

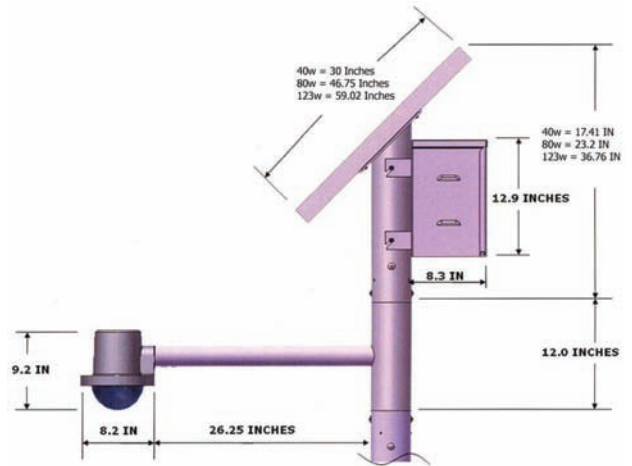
- 8.3" x 12.9" x 16"
- Grade "A" Corrosion Resistant Aluminum
- Weight: 9.5 lbs.

Battery

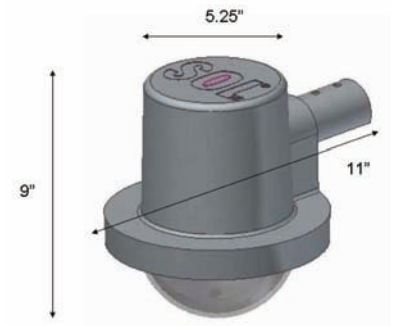
- Gel Cell – No maintenance, 100 amp hour resistant
- Weight: 62 lbs.

Direct Burial Pole

- 4" I.D. Schedule 40 straight aluminum pole - 20' direct burial
- Powder-coated to match system
- Weight: 68 lbs.



GreenWay Fixture



Model	Solar Array	Solar Array Dimensions	Panel Power (output amps)	EPA Effective Projected Area (Entire system)	System Weight (with pole)
Greenway™ 40	40 watt	30" x 19.75"	2.37 amp @ 12V	5.60 sq. ft.	225 lb.
Greenway™ 80	80 watt	46.75" x 20.8"	4.55 amp @ 12V	7.18 sq. ft.	250 lb.
Greenway™ 130	130 watt	59.02" x 26.06"	7.16 amp @ 12V	10.05 sq. ft.	300 lb.

Solar panel configurations may vary slightly by manufacturer



rev. 0209 MRKT-GREENWAY-001