

Tilted Mount Short Arm

For TPM or PM Systems

FEATURES

Short mounting arm used with shoebox fixtures for TPM or PM systems.

SPECIFICATIONS

Constructed of Schedule 40 6063-T6 aluminum.

Powder-coated – black or brown to match Shoebox fixture.

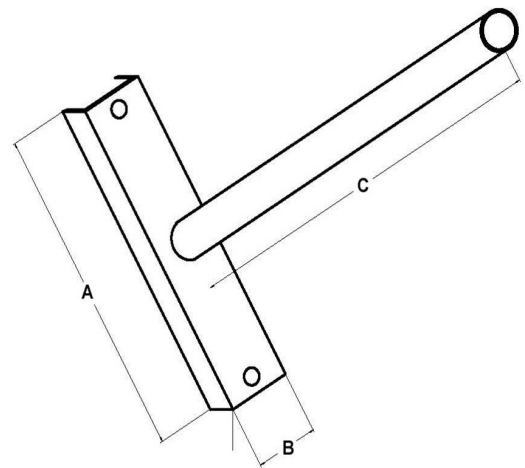
DATA

Approximate net weight: 8 lbs.

Effective projected area: 0.7 sq. ft.

DIMENSIONS

| A | B | C |
|-----------|----------|-----------|
| 20 inches | 4 inches | 24 inches |



rev. 1008 MRKT-PMSHORTARM-001