

## 4Q LED Shoebox

### The better, brighter light fixture

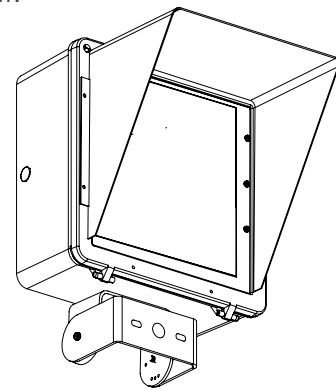
#### FEATURES

This luminaire is designed for outdoor lighting applications where a downward lighting pattern is required.

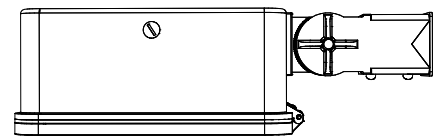
Can also be mounted directly onto a building or positioned as a floodlight.

#### SPECIFICATIONS

- Super efficient, bright, white light, state of the art LED light source; most efficient white light source in its wattage range. Excellent color rendering optimizes human visual acuity and contrast, offering best in class night-time (scotopic) vision.
  - IDA approved dark sky friendly versions of this luminaire are available.
  - Maximizes light utilization, providing a uniform light pattern with concentrated light where it is needed and low light pollution outside of light distribution field.
  - No risk of hazardous disposal – unlike CF, CCFL, LPS and HPS which contain mercury.
  - “Instant-on” – no warm up or cold start issues. Starting and re-igniting period: less than 100 milliseconds.
  - Significantly less energy and maintenance costs with reduced greenhouse gas emissions.
  - Luminaire provides condensation prevention and adequate ventilation.
  - Prismatic optics utilizing Sol Max-Lite® Reflector.
  - Aluminum with powder-coated finish – bronze or black.
- Long (6') or short (2') mounting arm available.
  - Standard 2" Slipfitter Mounting.
  - Shoebox DSC lens features tempered glass lens.
  - Optional glareshield/houseside shield available - 1.5mm powdercoated aluminum finish. Can be reverse mounted to use as a back cutoff.



Optional House Side Shield & Wall Mount Bracket Shown



Standard Knuckle Slip Fitter for Pole Mounting

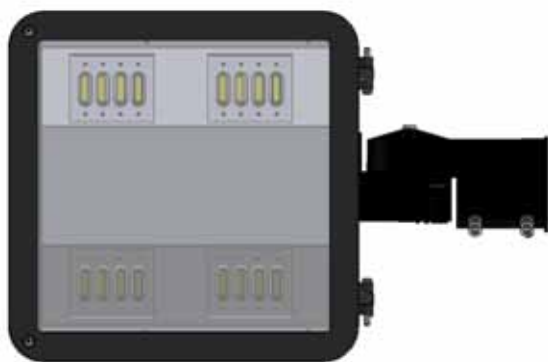
**Sol**<sup>®</sup>   
Reliable. Renewable. Remarkable.

## 4Q LED Shoebox

The better, brighter light fixture

### TECHNICAL SPECIFICATIONS

FEATURE	VALUE
LED Type	Strip Type / rated to 70,000 hours (L-70)
LED Total Power	60 watts
Dimensions (L x W x H)	16" x 16" X 6 15/16" (406.4 mm x 406.4 mm x 176.21 mm)
Weight	19 lbs (8.62 kg)
LED Enclosure	Water tight, sealed, dust and insect free
Power	12V to 40V DC or 80VAC to 277VAC, 50.60 Hz
LED Driver Efficiency	81% @ 12V / 91% @ 24V / 95% @ 40V
Luminous Efficacy	80 Lumens per watt
Color Temperature (CCT)	5100K
LED lumens per LED watt	4000@60W
Operating Temperature (Amb.)	-40 F to 120 F (-40 C to 48.8 C)
Housing	Die cast corrosion resistant electroplated aluminum
Lens	Cutoff DSC (Dark Sky Compliant)
Suggested Mounting Height	12 to 30 feet (3.65 m to 9.1 m)
Mounting Hardware	Standard: 2" Sch. 40, pipe



Reliable. Renewable. Remarkable.

rev. 0410 MRKT-4QSB-001