

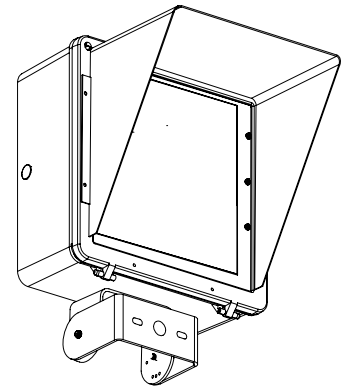
Shoobox LED 24

FEATURES

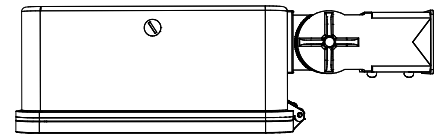
SOL Inc LED shoobox die cast aluminum luminaire with adjustable knuckle mounting. Featuring Type I, II, III, and V optical systems and programmed LED driver, fixture operates well for parking lot and pathway lighting when used with SOL Inc TPM and PM series solar light systems.

SPECIFICATIONS

- Super efficient, bright, white LED light source.
- Available in Type I, Type II and Type III distribution patterns.
- IESNA Cut off, IDA Compliant.
- Bright white 5,000K color temperature.
- Die Cast Aluminum construction with hinged LED cover.
- Luminaire provides IP65 protection.
- Aluminum with powder-coated finish – bronze, black, green or white.
- Standard 2" Knuckle Mounting provided for tenon or SOL Inc stub-arm mounting.
- All hardware is stainless steel or powder coated to match.
- Tempered glass lens.
- Optional glare shield/houseside shield available powdercoated to match fixture finish. Can be reverse mounted to use as a back cutoff.



Optional House Side Shield & Wall Mount Bracket Shown



Standard Knuckle Slip Fitter for Pole Mounting

Shoebox LED 24

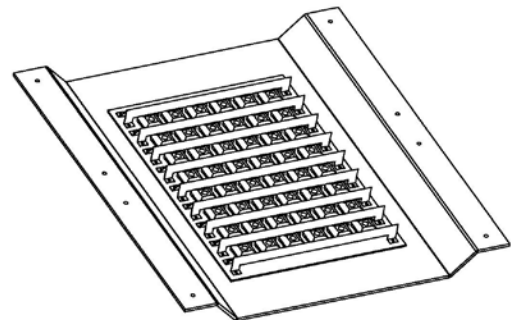


TECHNICAL SPECIFICATIONS

FEATURE	VALUE
LED Type	Discrete High Flux LED (up to 24 per fixture)
LED Total Power	15 to 30W (configured per project)
Dimensions (L x W x H)	12 1/2" x 12 1/2" X 5 3/8" (317.5 mm x 317.5 mm x 136.53 mm)
Weight	14 lbs (6.35 kg)
LED Enclosure	IP65
Power	12V to 24V DC
LED Driver Efficiency	81% @ 12V / 91% @ 24V / 95% @ 40V
Luminous Efficacy	65 Lumens per watt
Color Temperature (CCT)	5000K
LED lumens per LED watt	2000@30W
Operating Temperature (Amb.)	-40 F to 130 F (-40 C to 55 C)
Housing	Die cast corrosion resistant electroplated aluminum
Lens	Flat Glass
Suggested Mounting Height	12 to 30 feet (3.65 m to 9.1 m)
Mounting Hardware	Standard: 2" Sch. 40, pipe

INTERNAL THERMAL MANAGEMENT

- Large surface area, thermal conduction plate
- Thermal conduction compound with multi-point connection to fixture house
- Overall surface area: 352 in².
- Thermal density is less than .1W/in²
- LEDs are placed on a metal-core PCB for optimal heat transfer and minimized thermal impedance



Internal Fixture Heat Sink with metal core PCB



Reliable. Renewable. Remarkable.

rev. 0410 MRKT-24LEDSB-001