

## 1Q LED 12" Shoebox

### The better, brighter light fixture

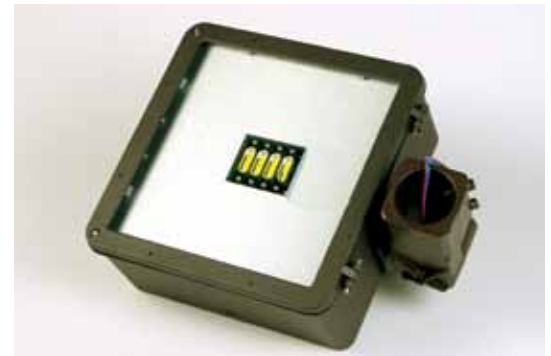
#### FEATURES

This luminaire is designed for outdoor lighting applications where a downward lighting pattern is required.

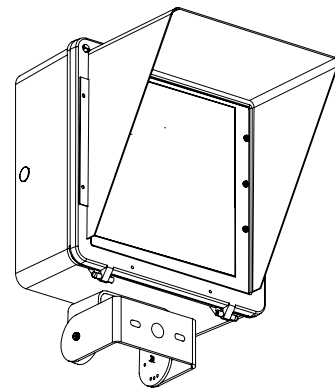
Can also be mounted directly onto a building or positioned as a floodlight.

#### SPECIFICATIONS

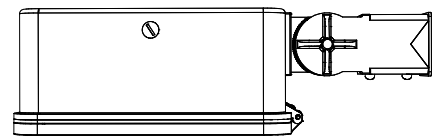
- Super efficient, bright, white light, state of the art LED light source; most efficient white light source in its wattage range. Excellent color rendering optimizes human visual acuity and contrast, offering best in class night-time (scotopic) vision.
- IDA approved dark sky friendly versions of this luminaire are available.
- Maximizes light utilization, providing a uniform light pattern with concentrated light where it is needed and low light pollution outside of light distribution field.
- No risk of hazardous disposal – unlike CF, CCFL, LPS and HPS which contain mercury.
- “Instant-on” – no warm up or cold start issues. Starting and re-igniting period: less than 100 milliseconds.
- Significantly less energy and maintenance costs with reduced greenhouse gas emissions.
- Luminaire provides condensation prevention and adequate ventilation.
- Prismatic optics utilizing SOL Max-Lite® Reflector.
- Aluminum with powder-coated finish – bronze or black.



- Long (6') or short (2') mounting arm available.
- Standard 2" Slipfitter Mounting.
- Shoebox DSC lens features tempered glass lens.
- Optional glareshield/houseside shield available - 1.5mm powdercoated aluminum finish. Can be reverse mounted to use as a back cutoff.



Optional House Side Shield & Wall Mount Bracket Shown



Standard Knuckle Slip Fitter for Pole Mounting

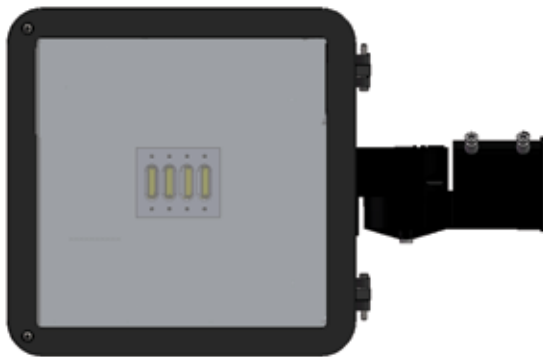
**Sol**<sup>®</sup>   
Reliable. Renewable. Remarkable.

## 1Q LED 12" Shoebox

The better, brighter light fixture

### TECHNICAL SPECIFICATIONS

FEATURE	VALUE
LED Type	Strip Type / rated to 70,000 hours (L-70)
LED Total Power	18.9 watts
Dimensions (L x W x H)	12 1/2" x 12 1/2" X 5 3/8" (317.5 mm x 317.5 mm x 136.53 mm)
Weight	14 lbs (6.35 kg)
LED Enclosure	Water tight, sealed, dust and insect free
Power	12V to 40V DC or 80VAC to 277VAC, 50.60 Hz
LED Driver Efficiency	81% @ 12V / 91% @ 24V / 95% @ 40V
Luminous Efficacy	80 Lumens per watt
Color Temperature (CCT)	5100K
LED lumens per LED watt	1512@18.9W
Operating Temperature (Amb.)	-40 F to 120 F (-40 C to 48.8 C)
Housing	Die cast corrosion resistant electroplated aluminum
Lens	Flat Glass (Cutoff )
Suggested Mounting Height	12 to 30 feet (3.65 m to 9.1 m)
Mounting Hardware	Standard: 2" Sch. 40, pipe



**Sol**<sup>®</sup>   
Reliable. Renewable. Remarkable.

0410 MRKT-1QSB-001