

Perimeter Security Lighting

All inclusive solar lighting system for perimeter security

Sol provides trouble-free security lighting wherever it's needed including all types of fences and wall structures.

FEATURES

- All inclusive security system available in 12 or 24 VDC.
- System includes:
 - *Dual ultra bright LED unilight fixtures.*
 - *Solar power collection panel.*
 - *Energy storage array containing maintenance-free gel battery(s), and system controller.*
 - *Plug-and-play interconnects.*
 - *Mounting pole and rack.*
- 12 VDC features 4-dual Unilights and 24 VDC features 8-dual Unilights.
- System is virtually maintenance free and offers unsurpassed durability.
- Solar panel(s) mount on standard steel or aluminum round pole.
- Entire solar structural assembly is specifically engineered for rugged environments.
- Sturdy corrosive and vandal resistant aluminum and stainless steel hardware throughout solar system helps thwart vandals.
- Maintenance free 100 amp hour gel cell battery(s) with a typical minimum back-up of 5 days in case of bad weather.
- Super efficient, bright, white light 5100K, state-of-the-art LED light source.
- The most efficient and aesthetically pleasing white light source in this wattage range.
- Excellent color rendering optimizes human visual acuity and contrast, offering best in class night-time vision.
- “Instant-on” – no warm up or cold start issues.
- Unlike conventional lights, no risk of hazardous disposal – CF, CCFL, LPS and HPS contain mercury.
- LEDs provide 70,000 hours (LM70).
- 5 year limited system warranty.
- 20 year limited warranty on solar panels.



Sol[®]
Reliable. Renewable. Remarkable.

Perimeter Security Lighting

All inclusive solar lighting system for perimeter security



SPECIFICATIONS

SSL-12

SSL-24

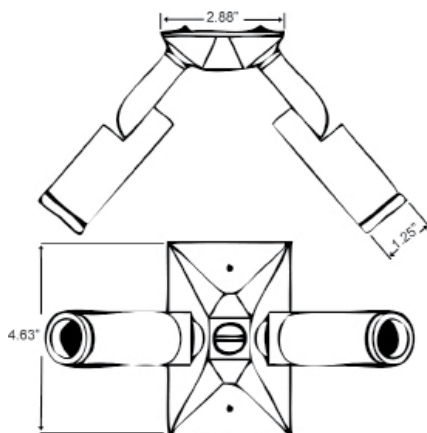
Operating Voltage	12 VDC	24 VDC
Solar Power Array (SPA)	80 watts	160 watts
Solar Panel Array Dimensions L x W x H (inches)	39.48 x 26.06 x 1.81	39.48 x 52.12 x 1.81
Panel Output	4.55 amps @ 12V	4.65 amps @ 24V
Energy Storage Array Dimensions L x W x H (inches)	13" x 11" x 8" (ESA 100)	23" x 13" x 8.5" (ESA 200)
Gel Battery	100 AH sealed gel cell – 100 amp hour resistant / Weight: 62 lbs.	100 AH sealed gel cell – 100 amp hour resistant / Weight: 62 lbs
Power Management	Sol Eterno® solid state controller with low voltage disconnect	Sol Eterno® solid state controller with low voltage disconnect
Illumination Technology	Dual LED Unilight	2-Dual LED Unilights



Dual LED Unilight



Typical solar panel



Typical side of pole mounting



rev. 0809 MRKT-SSL-001