

Tilted Mount (PM) Mounting Bracket

Fixed angle bracket that mounts on the side of a pole at a 45-degree angle

FEATURES

6063-T6 Aluminum

45 degrees or 15 degrees (dual angle)

Light weight

Standard wind load rating 90 MPH

Optional high wind load brackets

SPECIFICATIONS

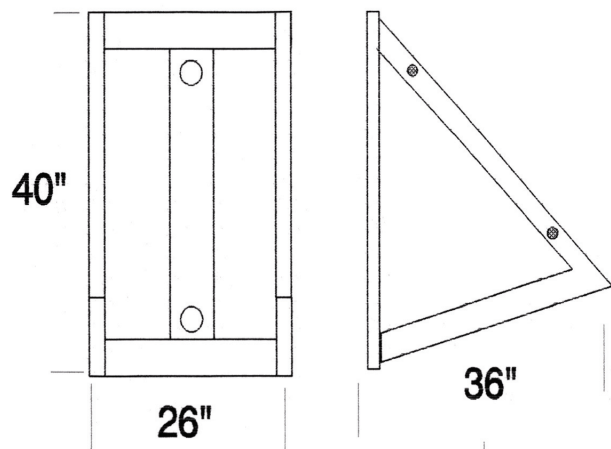
Constructed of 2 inch Schedule 40 6063-T6 square aluminum tube with extruded aluminum channel.

“A” rated for corrosion resistance.

DATA

Approximate net weight: 35 lbs.

Effective projected area (EPA): 2.1 sq. ft.



Sol[®]
Reliable. Renewable. Remarkable.

rev. 1108 MRKT-PMBRACKET-001