

LED Round Bollard

The better, brighter pathlight for trails and walkways

FEATURES

This luminaire is designed for outdoor lighting applications and are built for beauty, durability and performance.

Powered by a remote solar array, ideal for pathways, walkways, building entrances or any other lighting applications that requires a low profile fixture.

SPECIFICATIONS

- Excellent color rendering optimizes human visual acuity and contrast, offering best in class night-time (scotopic) vision.
- Extruded aluminum housing with flush mounting base and vandal-resistant screws.
- Domed top, powder coated finish over a chromate conversion coating with an internal ballast tray for easy maintenance.
- Double-lip silicone seal at the top of the reflector and sealed lamp prevent insects, dirt and moisture from entering the optical system.
- Weather, corrosion and tamper proof security features for theft prevention.
- Clear polycarbonate lens.
- Mounting kit with base, bracket and 3 - 4" anchor bolts included.
- Housing fastens to a cast aluminum base - within the housing, a formed & channeled heavy gauge steel frame supports the components.
- 8-watt super efficient, bright, white light, state of the art LED light source; most efficient white light source in its wattage range.
- Excellent color rendering optimizes human visual acuity and contrast, offering best in class night-time (scotopic) vision.
- No risk of hazardous disposal – unlike CF, CCFL, LPS and HPS which contain mercury.
- “Instant-on” – no warm up or cold start issues. Starting and re-igniting period: less than 100 milliseconds.
- Significantly less energy and maintenance costs with reduced greenhouse gas emissions.
- FivePlus™ Warranty includes 10 years on electronics, wiring, fixtures and 20 years on mounting hardware and solar panels.



Sol[®] 
Reliable. Renewable. Remarkable.

LED Round Bollard

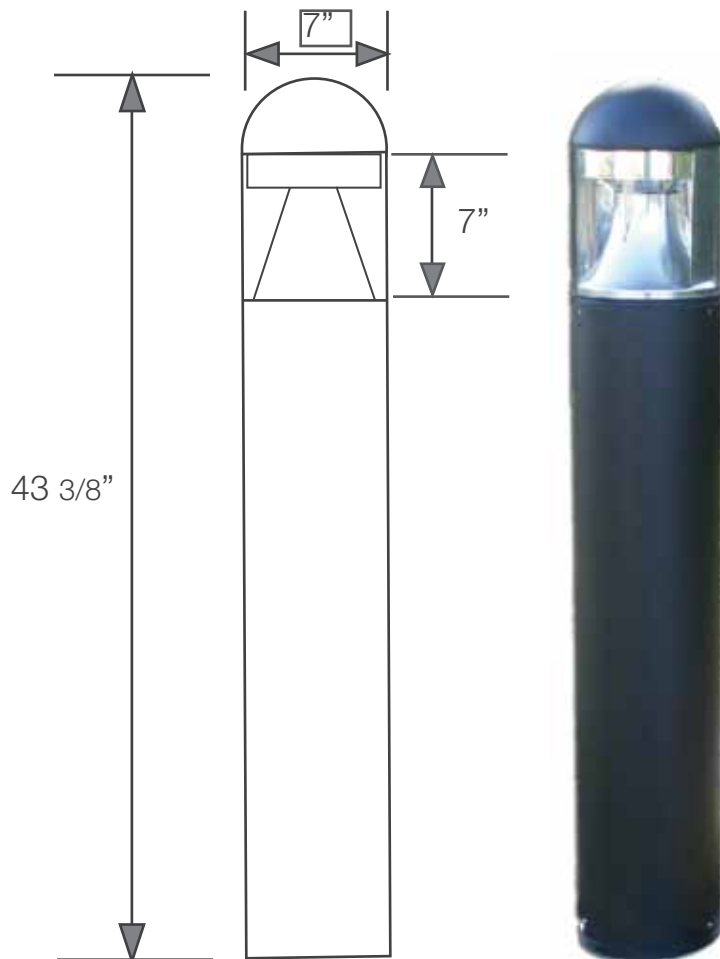
The better, brighter pathlight for trails and walkways

DATA

Approximate net weight: 12 to 16 lbs.

Effective projected area (EPA): N/A

Suggested spacing: 40 to 60 feet



Replacement polycarbonate lens for bollard



Mounting kit includes bracket with 3-4" anchor bolts and base

Sol[®]
Reliable. Renewable. Remarkable.

rev. 0510 MRKT-BOLL-001