

Template for Sign 4' x 4'

1 Fixture spaced 3' from sign face
Centered

Fixture Type = 1Q LED Mini Floodlight

DISCLAIMER

Calculations have been performed according to IESNA & CIE standards and good practice. Some differences between measured values and calculated results may occur due to tolerances in calculation methods, testing procedures, component performance, measurement techniques and field conditions such as voltage and temperature variations. Input data used to generate the attached calculations such as room dimensions, reflectances, furniture and architectural elements significantly affect the lighting calculations. If the real environment conditions do not match the input data, differences will occur between measured values and calculated values.



Room / Site Summary

Site

Calculation Summary

	Attained	Target
Zonal Cavity Illum*:	N/A fc	N/A fc
Unit Power Density:	0.68 W/sq. ft.	N/A W/sq. ft.

*Zonal cavity illuminance does not take into account objects within the space, or daylighting.

Area Summary

Overall Size: 4.00 ft x 5.00 ft x N/A ft
 Reflectances: Ceiling N/A
 Walls: N/A
 Floor: N/A

Total Cost: \$0.00

Luminaire Type Summary

<u>Type</u>	<u>Catalog Number</u>	<u>Quantity</u>
1QMFL		1

Luminaire Location Summary

<u>Type</u>	<u>X</u>	<u>Y</u>	<u>Z</u>	<u>Orient</u>	<u>Tilt</u>	<u>Spin</u>	<u>AimX</u>	<u>AimY</u>	<u>AimZ</u>	<u>LLF</u>	<u>Tilt Factor</u>
1QMFL	2.00	2.00	0.00	0.00	115.0	0.00	n/a	n/a	n/a		



Calculation Grid: Sign Face (Site)

Surface Illuminance

Calculation Grid Summary

Grid Name	Sign Face	Grid Origin	(-0.01, 5.04)	Grid Surface	Wall
Grid Type	Surface Illuminance	Grid Orient:		Grid Hinge:	90
Grid Units	Footcandles	Grid Elev.:	0.00	Grid Azimuth	0

Statistical Area Summary

Stat. Area	Ave	Max	Min	Ave/Min	Max/Min	Std. Dev.
Sign Face	24.8	49.9	9.6	2.6	5.2	11.2

Calculation Grid

	0.00	1.00	2.00	3.00	4.00
4.00	9.6	12.2	13.7	12.3	9.7
3.00	15.3	20.7	24.1	20.8	15.4
2.00	22.0	32.3	39.1	32.5	22.2
1.00	24.5	40.1	49.9	40.3	24.9
0.00	17.2	32.1	40.5	32.3	17.5



Calculation Grid: Sign Face (Site)

Surface Exitance

Calculation Grid Summary

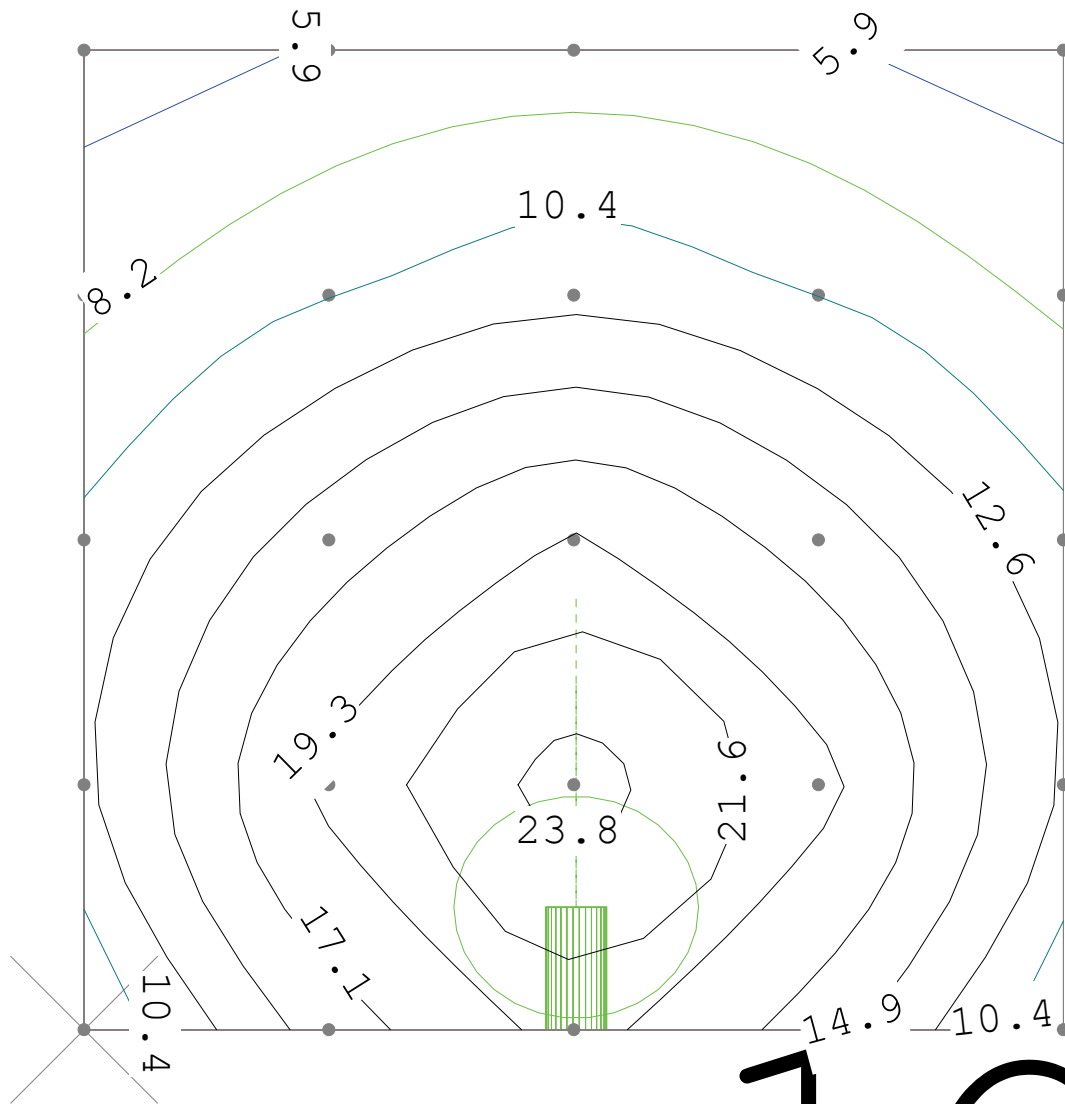
Grid Name	Sign Face	Grid Origin	(-0.01, 5.04)	Grid Surface	Wall
Grid Type	Surface Exitance	Grid Orient:		Grid Hinge:	90
Grid Units	Lumens / sq. Foot	Grid Elev.:	0.00	Grid Azimuth	0

Statistical Area Summary

Stat. Area	Ave	Max	Min	Ave/Min	Max/Min	Std. Dev.
Sign Face	12.4	24.9	4.8	2.6	5.2	5.6

Calculation Grid

	0.00	1.00	2.00	3.00	4.00
4.00	4.8	6.1	6.8	6.1	4.8
3.00	7.6	10.3	12.0	10.4	7.7
2.00	11.0	16.1	19.5	16.2	11.1
1.00	12.3	20.0	24.9	20.1	12.4
0.00	8.6	16.0	20.2	16.1	8.8



101

Site North View

Scale: Scale to Fit

Template for Sign 4' x 4'

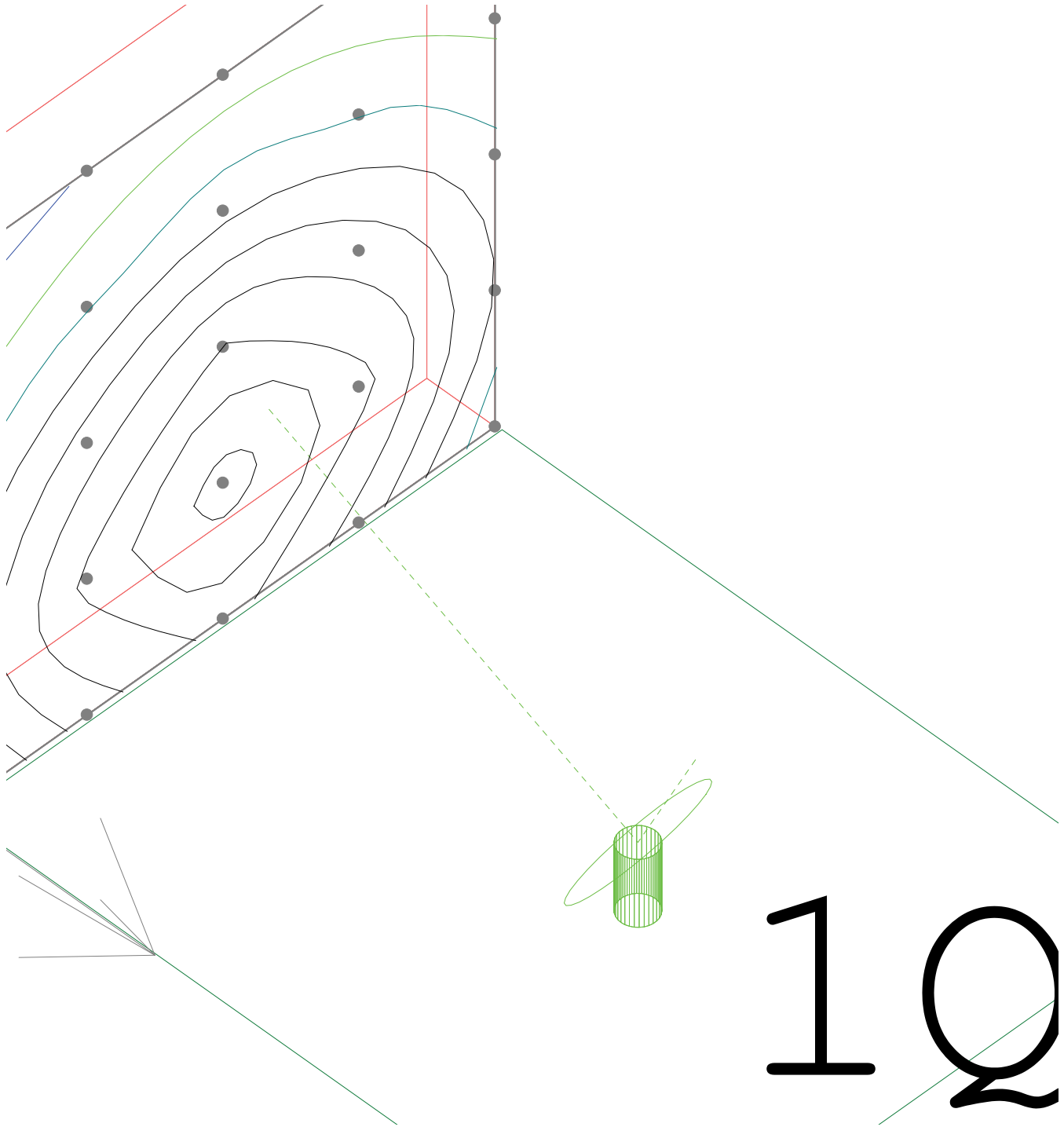


SOL INC

Palm City, FL

2/9/2009

Prepared for:



Site Isometric View

Scale: Scale to Fit

Template for Sign 4' x 4'

SOL INC

Palm City, FL

2/9/2009

Prepared for: