



Reliable. Renewable. Remarkable.

Shelter Lighting Solutions

Fitting virtually any shelter application, SOL's Shelter Lighting Systems are the intelligent solar powered lighting solution to utility connected approaches.



Parks and recreation shelters



Bus, tram, smoking and bicycle shelters



Gazebos and decorative shelters

Shelter Lighting

Energy efficient and reliable lighting enhances the safety, improves appeal, and protects your shelter investment.

Enhances Safety

- Well-lit shelters are a safe and welcoming place
- Lighting discourages crime, vagrants, and mischief in and around shelters

Improves Appeal

- Illumination improves visibility
- Lighting makes reading informational materials easier

Protects the Investment

- Lit shelters reduce maintenance cost due to vandalism
- Lighting the shelter is supported by neighborhood watch and police patrols

SOL's Solar Shelter Lighting Solutions

Solar powered shelter lighting is an economic, reliable, and environmentally responsible way to provide lighting in shelters.

Economic

- Solar lighting installs in most locations without costly trenching and grid connections
- No utility bills since the sun provides the energy

Reliable

- Not susceptible to power failures or brownouts
- SOL's proprietary LED lighting technology lasts for a minimum of 70,000 hours (L-70), that's over 15 years of no light bulb replacements

Environmentally Responsible

- Solar powered lighting emits no CO₂ or other hazardous gasses to provide efficient light
- Solar LED lighting contains no mercury or other hazardous material



Reliable. Renewable. Remarkable.

Shelter Lighting Solutions

Economic

SOL's shelter lighting solutions are the most economic way to enhance the safety and improve the appeal of a shelter. In many cases the installation of a solar lighting system is the lowest cost way to improve a shelter with lighting. Compared to utility-connected lighting, solar lighting systems avoid costs associated with cabling and trenching, transformers, permits, utility bills and service charges.

Typical Installation Costs

	SOL's Systems	Utility Connected*
Trenching & Cabling:	\$ 0	\$ 500 - 5,000
Transformer:	\$ 0	\$ 100 - 500
Permits:	\$ 0	\$ 100 - 500
5 Year Electricity Cost:	\$ 0	\$ 100 - 300
Total:	\$ 0.00	\$ 800 - 6,300

* all costs are estimates and vary by site, region, and installation methods

Reliable

SOL's solar LED lighting systems are built with sturdy, corrosive and vandal-resistant aluminum and stainless steel hardware. LED lights are protected with polycarbonate lenses. LEDs, NRGLife™ batteries, and associated hardware are protected via an industry-leading FivePlus™ year warranty that includes a 20-year limited warranty on the solar panels.

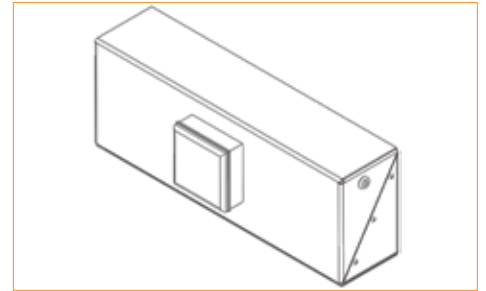
SOL systems are easy to install in most locations without grid connection and are not susceptible to power outages. There is no trenching, cabling, wiring, meters, labor and assembly costs, or utility headaches. SOL's proprietary energy management technology provides a minimum 5-night backup in case of inclement weather to ensure bright, reliable illumination.

Environmentally Responsible

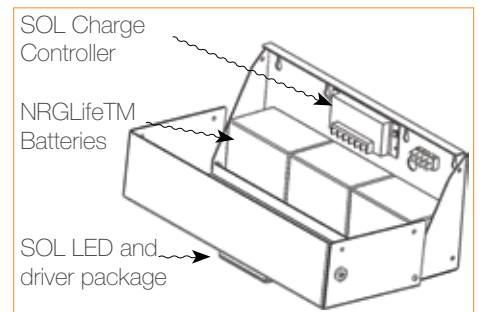
SOL lighting systems are the sustainable choice to reduce your carbon footprint. Shelter lighting from SOL uses the renewable energy from the sun to store electricity to power ultra-efficient LEDs. This approach requires no connection to the electrical grid and the emission of CO₂ to provide light.

SOL's LED technology features cutting edge optical designs and drivers that provide bright light and a service life up to 100,000 hours.

Shelter Lighting Solution



SOL's shelter lighting - mounts directly onto most shelter support systems



Self-contained low-profile shelter lighting package (solar not shown)

About SOL Inc

SOL is the leading manufacturer of commercial-grade solar powered lighting solutions for parking lots, pathways, streets and roadways, signs and billboards, shelters and landscapes.

Since 1990 SOL has introduced innovative, reliable and cost-effective solar lighting systems that provide unsurpassed levels of illumination and reliability. SOL has a distributor network in over 60 countries on six continents with over 40,000 solar lighting systems installed.

SOL is ISO 9001:2008 certified and committed to superior design, manufacturing, and customer satisfaction.