



Reliable. Renewable. Remarkable.

Perimeter Security Lighting Solutions

Protecting facilities, people and assets is increasingly important. Fences, walls and borders are often a long distance from established electrical and communications equipment. Wireless lighting is often the most cost effective way to illuminate perimeters. Cost prohibitive electrical trenching and complicated logistics makes solar powered perimeter security lighting the intelligent first choice .



Concrete walls



Fence and security lines



Gate or entry points

Perimeter Security Lighting

Solar powered perimeter lighting and solar powered security lighting is ideal for many military, transportation, shipping, warehousing, dock, university and fence lighting challenges.

Enhances Security

- Lighting discourages crime, vagrants, and mischief in, around and along property lines
- Bright white lights makes it easier for police/ security officials to see
- Coupled with motion detection technology, solar powered lighting is a powerful first-level deterrent for vandalism, theft, and mischief

Peace of Mind

- Vandal resistant hardware
- LED lighting is vibration and shock resistant. It turns on without warm-up or flickering even in extreme conditions (-40 to 140 degrees)
- Works every night - battery backup for cloudy days

SOL's Solar Lighting Solutions

Solar powered lighting is an economic, reliable, and environmentally responsible way to provide lighting near or along security and perimeter lines.

Economic

- Solar lighting installs in most locations without costly wiring and grid connections
- Solar powered lighting uses energy stored in batteries to provide bright white light – it is immune to power failures, brown outs or electrical switch gear break down
- No utility bills since the sun provides the energy

Reliable

- Since solar lighting is a distributed power source it does not have a single point of failure
- SOL's proprietary LED lighting technology lasts for a minimum of 70,000 hours (L-70), that's over 15 years of no light bulb replacements

Environmentally Responsible

- Solar powered lighting emits no CO₂ or other hazardous gasses to provide efficient light
- Solar LED lighting contains no mercury or other hazardous material



Reliable. Renewable. Remarkable.

Perimeter Security Lighting Solutions

Economic

SOL's perimeter security lighting solutions are the most economic way to enhance the security of all types of walls, fences, gates and other security applications. In many cases the installation of a solar lighting system along a remote fence line is the lowest cost way to improve security.

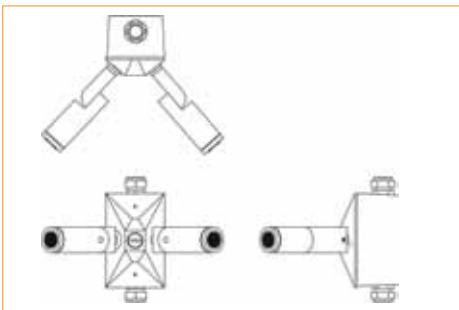
Compared to utility-connected lighting, solar lighting systems avoid costs associated with cabling and trenching, transformers, permits, utility bills and service charges.

Reliable

SOL's solar LED lighting systems are built with sturdy, corrosion-resistant aluminum and stainless steel hardware. LED lights are protected with polycarbonate lenses. LEDs, NRGLife™ batteries, and associated hardware are protected via an industry-leading FivePlus™ year warranty that includes a 20-year limited warranty on the solar panels.

SOL systems are easy to install in most locations without grid connection and are not susceptible to power outages. There is no trenching, cabling, wiring, meters, labor and assembly costs, or utility headaches. SOL's proprietary energy management technology provides a minimum 5-night backup in case of inclement weather to ensure bright, reliable illumination.

Perimeter Security Lighting

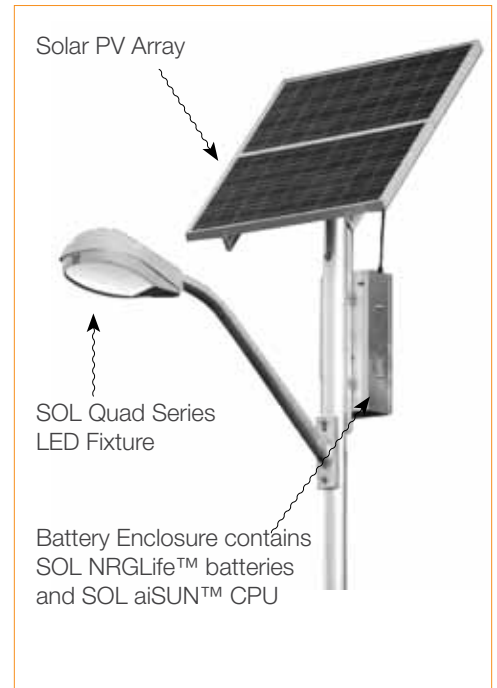


SOL Dual LED UniLight features independent LED unilights that can be positioned for desired placement of lighting.



SOL Dual LED UniLight provides super bright white light for enhanced visual acuity. Typical placement along perimeter fences and walls.

Perimeter Security Lighting



Typical solar lighting system used for larger security lighting applications (fixture and panel sizing may vary)

About SOL Inc.

SOL is the leading manufacturer of commercial-grade solar powered lighting solutions for parking lots, pathways, streets and roadways, signs and billboards, shelters and landscapes.

Since 1990 SOL has introduced innovative, reliable and cost-effective solar lighting systems that provide unsurpassed levels of illumination and reliability. SOL has a distributor network in over 60 countries on six continents with over 40,000 solar lighting systems installed.

SOL is ISO 9001:2008 certified and committed to superior design, manufacturing, and customer satisfaction.